

SWITCHING REGULATOR CONTROL IC FOR FLYBACK WITH CURRENT SENSE AMPLIFIER

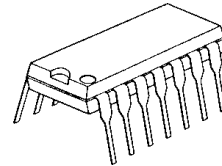
■GENERAL DESCRIPTION

The **NJM2381** is a low voltage operation DC/DC converter control IC.

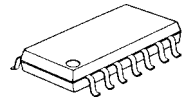
It features totem pole output directly driving external bipolar transistor and operates at high switching frequency which improves transient response.

It is suitable for LCD back light, and other portable applications.

■PACKAGE OUTLINE



NJM2381D



NJM2381M

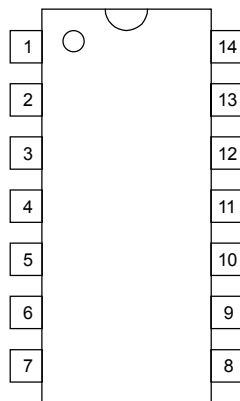


NJM2381V

■FEATURES

- PWM switching control
- Operating Voltage (3.6 to 32V)
- Wide Oscillator Range (5 to 350 kHz)
- Current Sensing Amplifier
- Soft-Start Function
- UVLO(Under Voltage Lockouts)
- Bipolar Technology
- Package Outline DIP14, DMP14, SSOP10

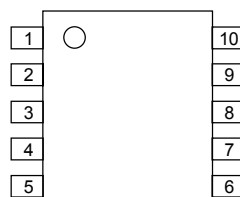
■PIN CONFIGURATION



NJM2381D
NJM2381M

PIN FUNCTION

1.NC	8.NC
2.IN ⁻ 1	9.V ⁺
3.IN ⁻ 2	10.CS
4.F.B	11.CT
5.GND	12.REF
6.OUT	13.IN ⁺
7.NC	14.NC



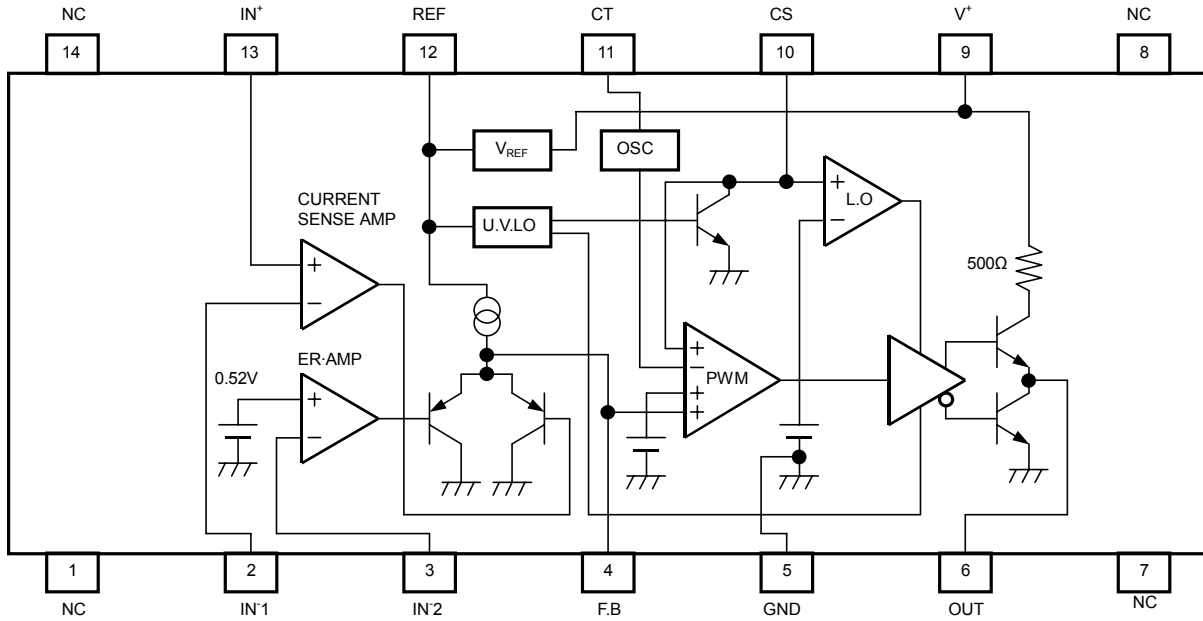
NJM2381V

PIN FUNCTION

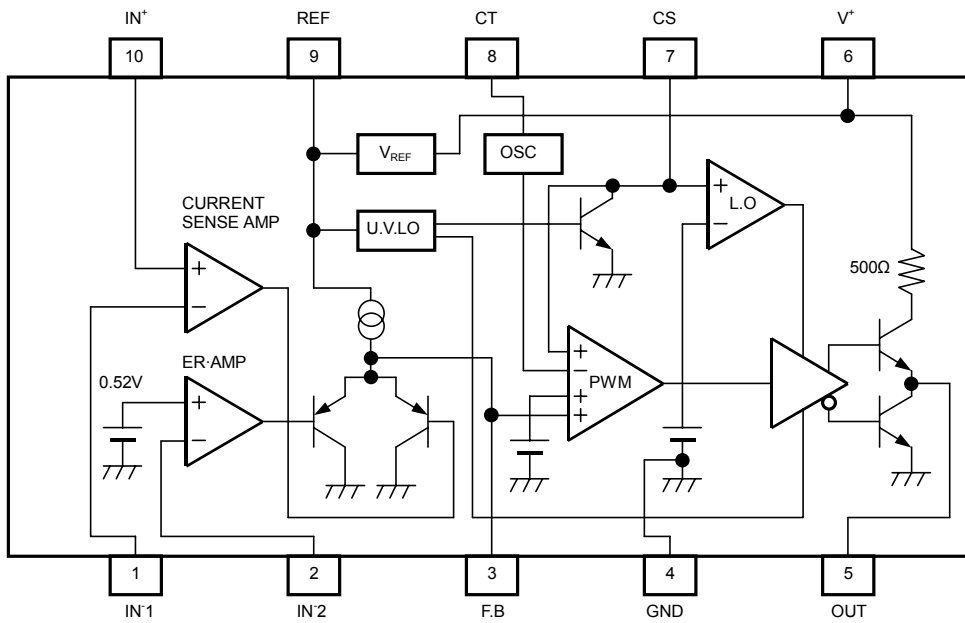
1.IN ⁻ 1	6.V ⁺
2.IN ⁻ 2	7.CS
3.F.B	8.CT
4.GND	9.REF
5.OUT	10.IN ⁺

NJM2381

■BLOCK DIAGRAM



(Package: DIP14, DMP14)



(Package: SSOP10)

■ABSOLUTE MAXIMUM RATINGS (Ta=25°C)

PARAMETER	SYMBOL	MAXIMUM RATINGS	UNIT
Input Voltage	V ⁺	36	V
Reference Output Current	I _{OR}	10	mA
Output Current	I _O	±50	mA
Differential Input Voltage	V _{ID}	2.5	V
Common Mode Input Voltage	V _{IC}	-0.3 ~ 2.5	V
Power Dissipation	P _D	(DIP 14) 700 (DMP 14) 300 (SSOP 14) 250	mW
Operating Temperature Range	T _{OPR}	-40 ~ +85	°C
Storage Temperature Range	T _{STG}	-50 ~ +125	°C

■ELECTRICAL CHARACTERISTICS (V⁺=6V, R_T=33kΩ, C_T=1000pF, Ta=25°C)

REFERENCE VOLTAGE BLOCK

PARAMETER	SYMBOL	TEST CONDITION	MIN.	TYP.	MAX.	UNIT
Output Voltage	V _{REF}	I _{OR} =1mA	2.45	2.50	2.55	V
Line Regulation	L _{INE}	V ⁺ =3.6 ~ 32V, I _{OR} =1mA	—	6.8	20.7	mV
Load Regulation	L _{OAD}	I _{OR} =0.1 ~ 5.0mA	—	5	30	mV

OSCILLATOR BLOCK

PARAMETER	SYMBOL	TEST CONDITION	MIN.	TYP.	MAX.	UNIT
Oscillation Frequency	f _{OSC}	R _T =33kΩ, C _T =1000pF	85	105	125	kHz
Oscillate Fluctuations1 (Line Fluctuations)	f _{dV}	V ⁺ =3.6 ~ 32V	—	1	—	%
Oscillate Fluctuations2 (Temp Fluctuations)	f _{dT}	Ta=-40 ~ 85°C	—	5	—	%

CURRENT SENSE AMPLIFIER BLOCK

PARAMETER	SYMBOL	TEST CONDITION	MIN.	TYP.	MAX.	UNIT
Input Offset Voltage1	V _{IO1}		—	2	7	mV
Input Offset Current1	I _{IO1}		—	5	50	nA
Input Bias Current1	I _{B1}		—	5	100	nA
Open Loop Gain1	A _{V1}		—	90	—	dB
Gain Bandwidth Product1	G _{B1}		—	0.6	—	MHz
Input Common Mode Voltage Ratio1	V _{ICM1}		—	0 ~ V _{REF} -0.8	—	V
Maximum Output Voltage1 (F.B Pin)	V _{OM-1}	R _{NF} =100kΩ	—	—	1	V
Maximum Source Current1 (F.B Pin)	I _{OM+1}	V _{OM} =0.5V	40	85	200	μA

NJM2381

■ELECTRICAL CHARACTERISTICS ($V^+=6V, R_T=33k\Omega, C_T=1000pF, T_a=25^\circ C$)

ERROR AMPLIFIER BLOCK

PARAMETER	SYMBOL	TEST CONDITION	MIN.	TYP.	MAX.	UNIT
Reference Voltage ₂	V_{B2}		0.51	0.52	0.53	V
Input Bias Voltage ₂	I_{B2}		–	5	100	nA
Open Loop Gain ₂	A_{v2}		–	90	–	dB
Gain Bandwidth Product ₂	G_{B2}		–	0.6	–	MHz
Maximum Output Voltage ₂ (F.B Pin)	V_{OM-2}	$R_{NF}=100k\Omega$	–	–	1	V
Maximum Source Current ₂ (F.B Pin)	I_{OM+2}	$V_{OM}=0.5V$	40	85	200	μA

PWM COMPARATE BLOCK

PARAMETER	SYMBOL	TEST CONDITION	MIN.	TYP.	MAX.	UNIT
Input Bias Voltage (F.B Pin)	V_{TH0}	duty·cycle=0%	–	1.65	1.75	V
Input Threshold Voltage (F.B Pin)	V_{TH50}	duty·cycle=50%	–	1.88	–	V
Maximum Duty Cycle	αM	Current Sense Amp.=HIGH Error Amp.=HIGH ,CS Pin=1.2V	55	64	85	%

SOFT START CIRCUIT BLOCK

PARAMETER	SYMBOL	TEST CONDITION	MIN.	TYP.	MAX.	UNIT
Input Bias Current (CS Pin)	I_{BCS}	CS Pin=1.8V	–	250	650	nA
Input Threshold Voltage (CS Pin)	V_{THCS0}	duty·cycle=0%	–	0.25	0.35	V
Input Threshold Voltage (CS Pin)	V_{THCS50}	duty·cycle=50%	–	0.52	–	V

UNDER VOLTAGE LOCKOUT BLOCK

PARAMETER	SYMBOL	TEST CONDITION	MIN.	TYP.	MAX.	UNIT
ON Threshold Voltage	V_{THON}		–	2.70	–	V
OFF Threshold Voltage	V_{THOFF}		–	2.52	–	V
Hysteresis Voltage	V_{HYS}		60	180	–	mV

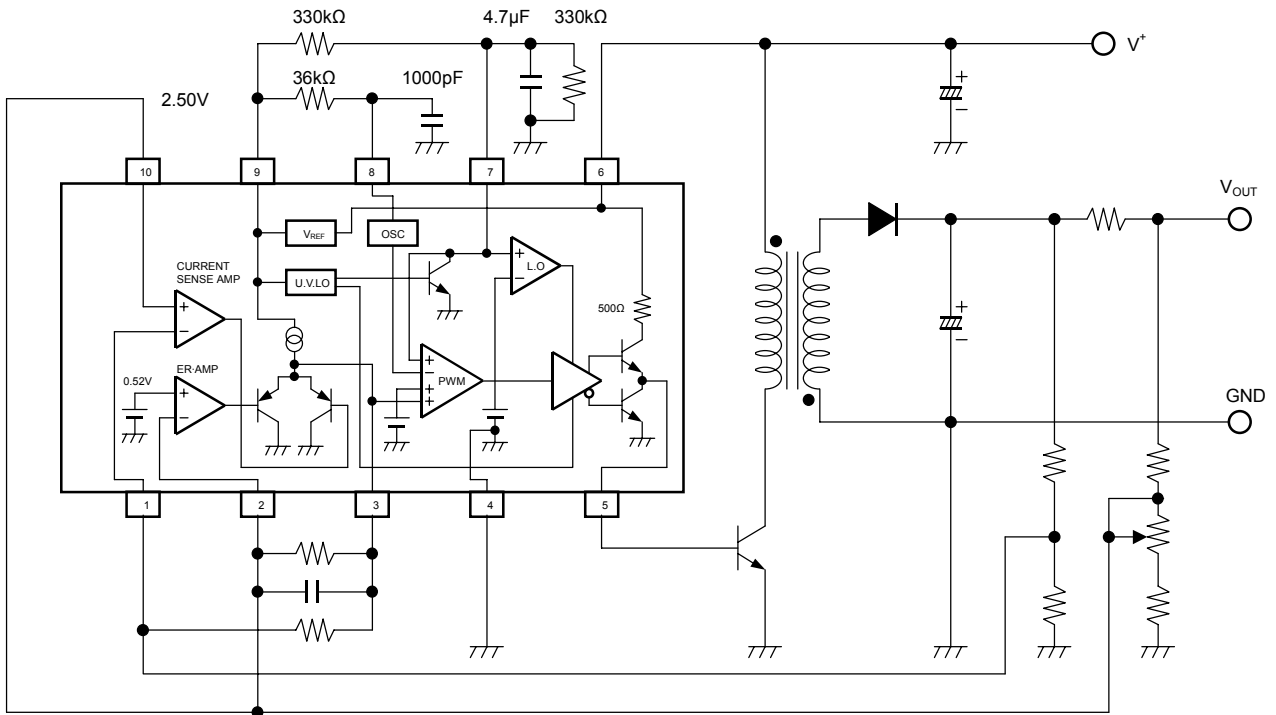
OUTPUT BLOCK

PARAMETER	SYMBOL	TEST CONDITION	MIN.	TYP.	MAX.	UNIT
H-Output Voltage (OUT Pin)	V_{OH}	$R_L=10k\Omega$	3.50	4.00	–	V
L-Output Voltage (OUT Pin)	V_{OL}	Output Sink Current=20mA	–	0.25	0.65	V
Output Source Current (OUT Pin)	I_{SOURCE}	OUT Pin=0V	8	11	–	mA

GENERAL CHARACTERISTICS

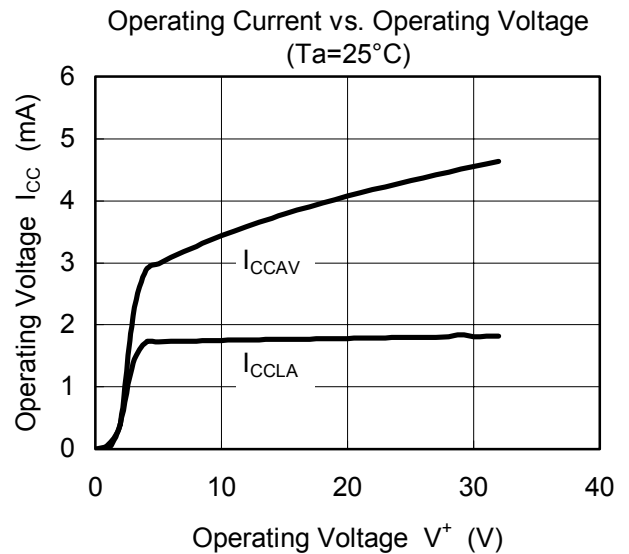
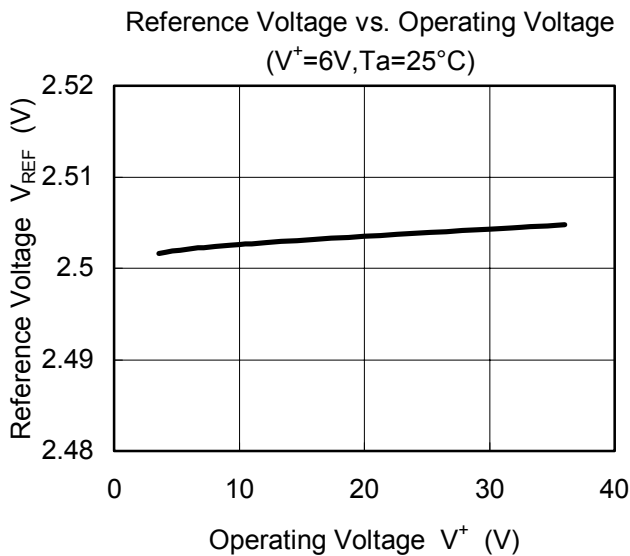
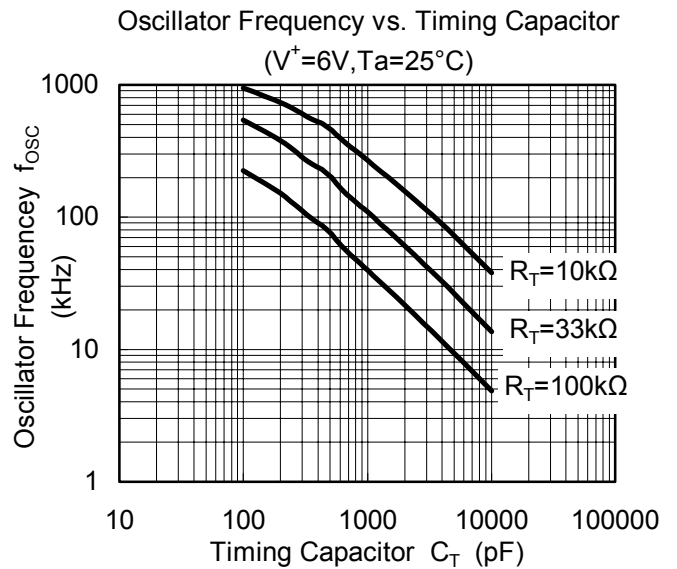
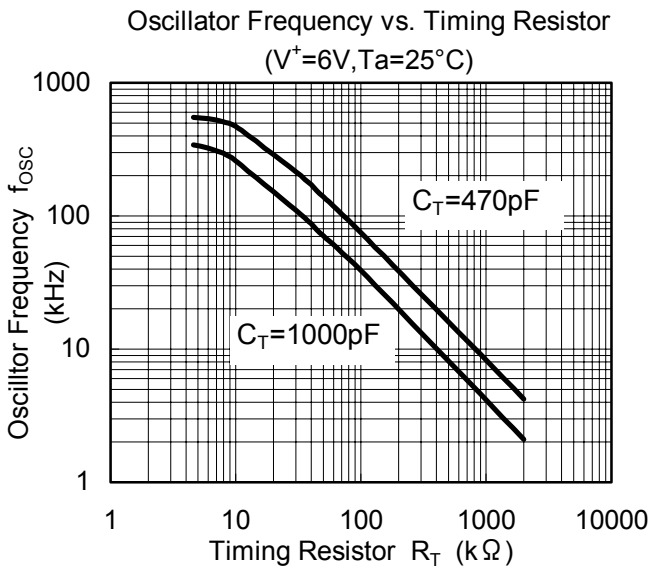
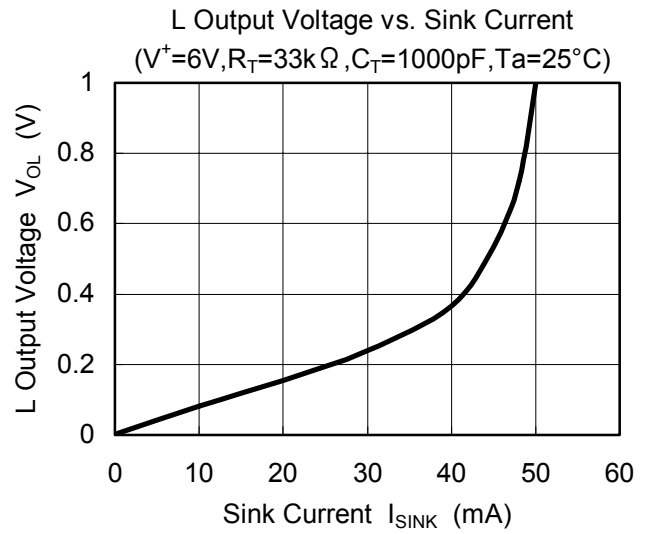
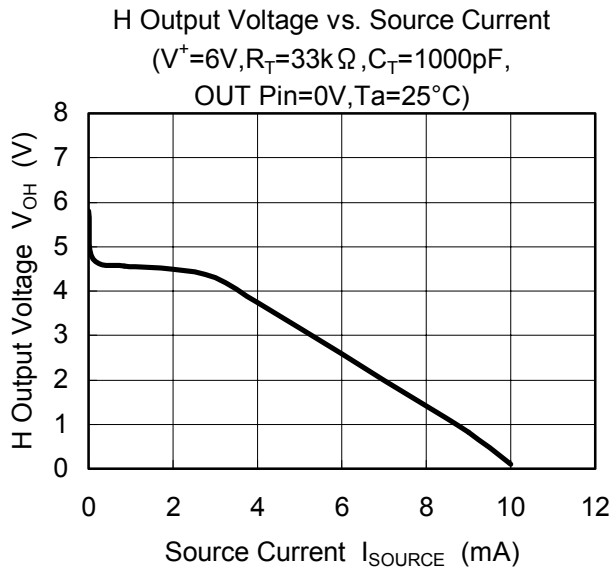
PARAMETER	SYMBOL	TEST CONDITION	MIN.	TYP.	MAX.	UNIT
Latch Mode Threshold Voltage (CS Pin)	V_{THLA}		1.2	1.5	1.8	V
Quiescent Current	I_{CCLA}	Latch Mode	–	1.6	2.2	mA
Average Quiescent Current	I_{CCAV}	$R_L = \infty$, duty·cycle=50%	–	3.5	4.8	mA

■ TYPICAL APPLICATIONS

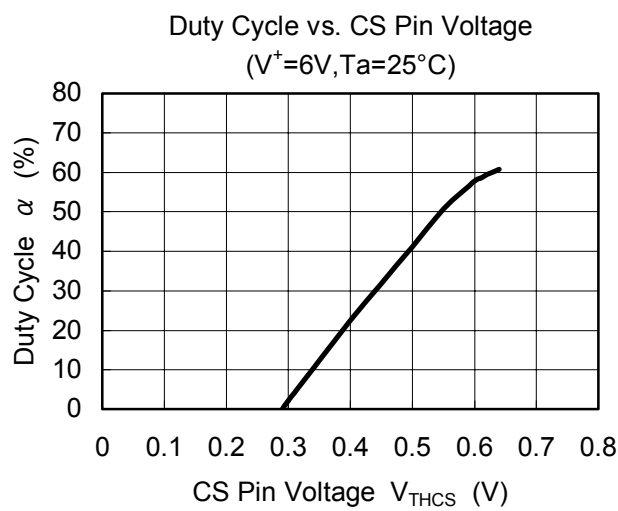
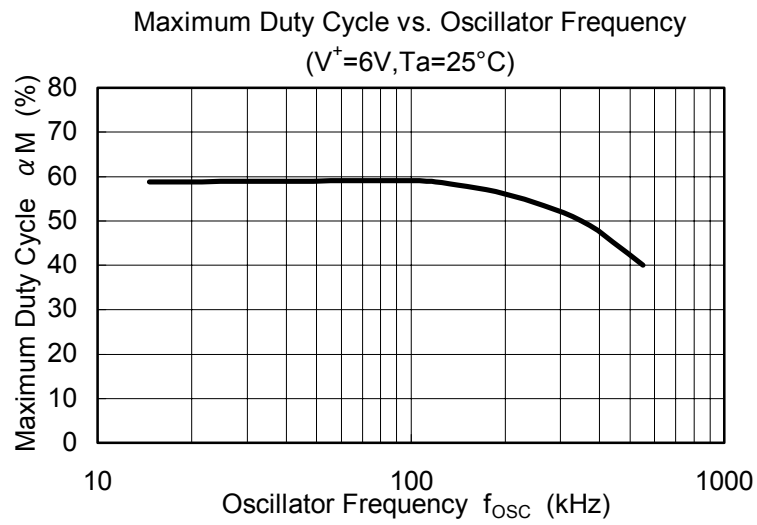


(Package:SSOP10)

TYPICAL CHARACTERISTICS

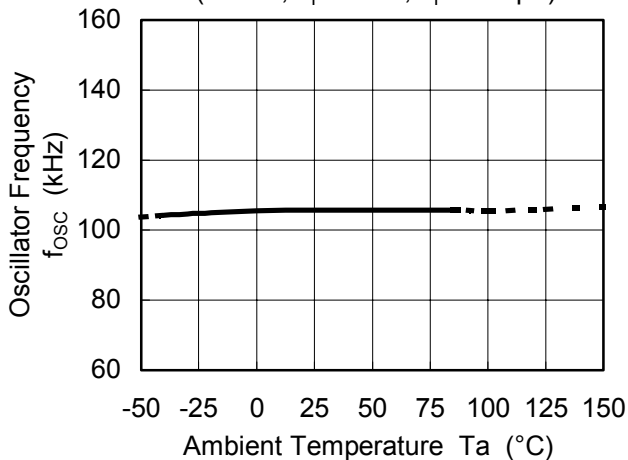


■ TYPICAL CHARACTERISTICS

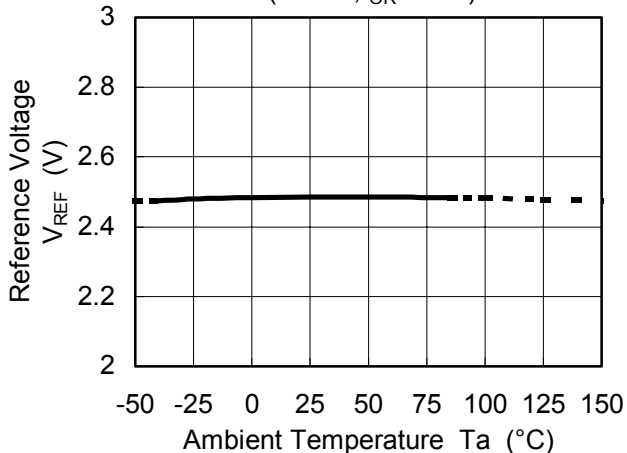


TYPICAL CHARACTERISTICS

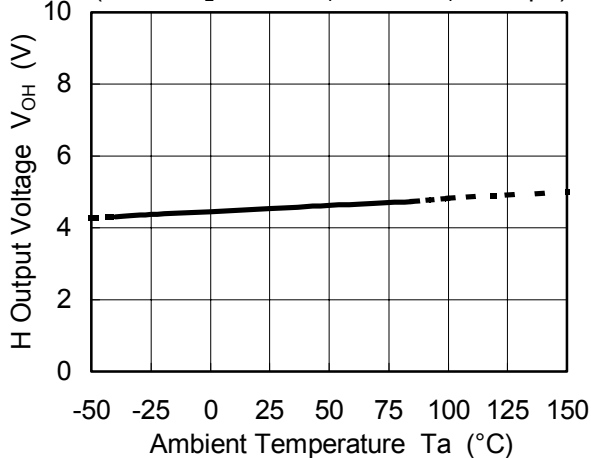
Oscillator Frequency vs. Temperature
($V^+=6V, R_T=33k\Omega, C_T=1000pF$)



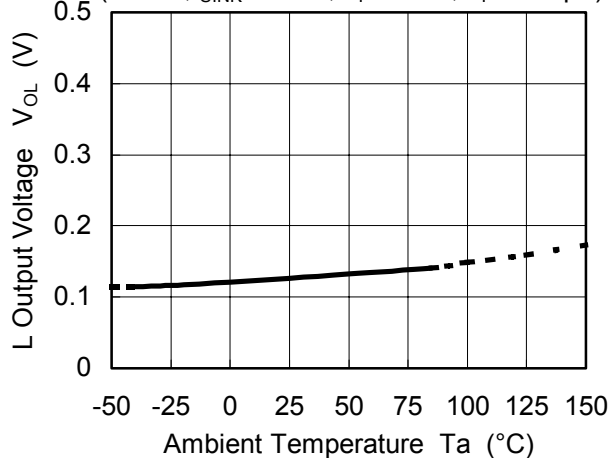
Reference Voltage vs. Temperature
($V^+=6V, I_{OR}=1mA$)



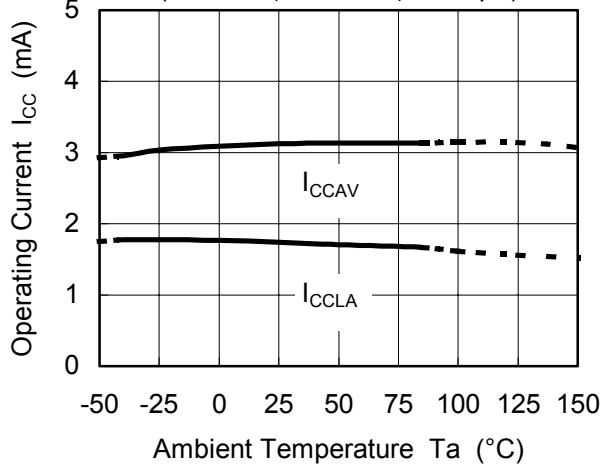
H Output Voltage vs. Temperature
($V^+=6V, R_L=10k\Omega, R_T=33k\Omega, C_T=1000pF$)



L Output Voltage vs. Temperature
($V^+=6V, I_{SINK}=20mA, R_T=33k\Omega, C_T=1000pF$)



Operating Current vs. Temperature
($V^+=6V, R_T=33k\Omega, C_T=1000pF$)



[CAUTION]
The specifications on this databook are only given for information, without any guarantee as regards either mistakes or omissions. The application circuits in this databook are described only to show representative usages of the product and not intended for the guarantee or permission of any right including the industrial rights.